



zintra[®]

STICKS Technical Specifications

Zintra Sticks Bundle + External Corner | Wide | Portrait | Eucalyptus



CROWN
SURFACE SOLUTIONS



Zintra Sticks are fabricated acoustic sticks with real timber effect. They provide a cost-effective, easy to install, and sustainable alternative to real wood with the additional benefit of reducing noise.

Available in 4 designs and coming either as a complete system or in individual lengths, Zintra Sticks can be applied horizontally or vertically across almost any wall or ceiling to create a contemporary indoor space that's inspired by nature.

Zintra Sticks Bundle + Transition | Narrow | Portrait | Spotted Gum

zintra® .2

INSTALLATION IDEAS





Top image: Zintra Sticks Bundle | Narrow | Portrait | Spotted Gum
Bottom image: Zintra Sticks Bundle + Transition | Narrow | Landscape | Merbau

TECHNICAL DRAWINGS

Zintra Sticks is available either as a complete system (aluminium frame + sticks) or as individual sticks. The sticks are available in two widths and the complete range of Zintra Sticks species and Zintra standard colours.

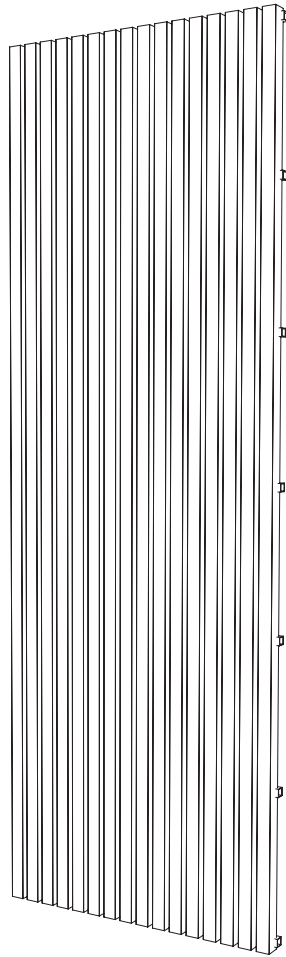
COMPLETE INSTALLATION GUIDE ALSO AVAILABLE.

Sticks Suspension Kit is used to install Bundles below services, at different heights or where direct fixing to a ceiling is not an option. With the wire hangers included, heights can be easily adjusted to ceiling type and angles.



NARROW STICK

1.7" (42mm) w x 108.1" (2745mm) h x 1.9" (48mm) d



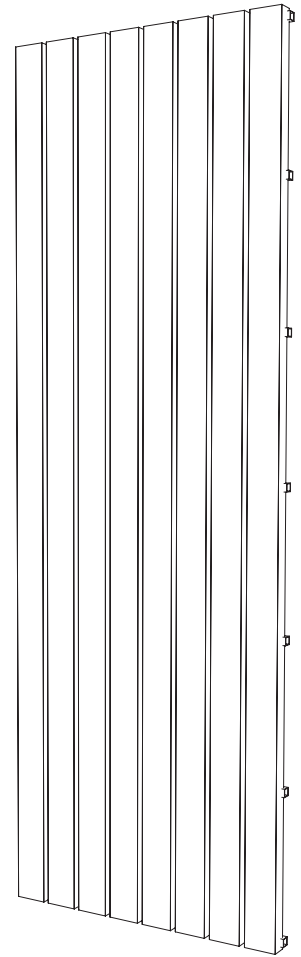
STICKS BUNDLE NARROW

37.5" [953mm] w x 108" [2745mm] h



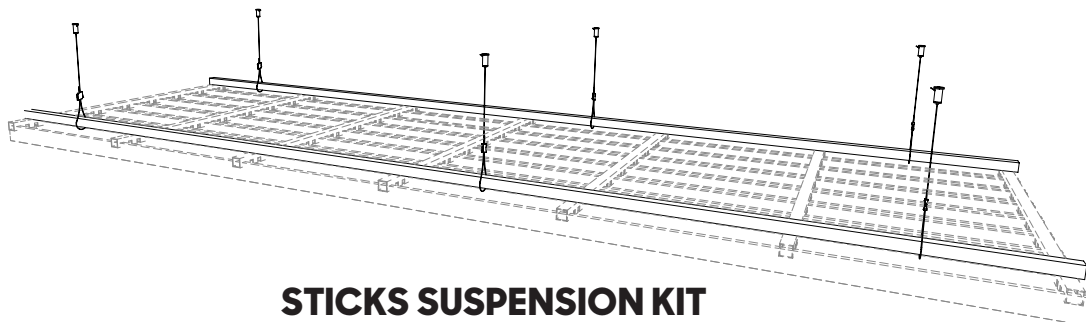
WIDE STICK

4" (102mm) w x 108.1" (2745mm) h x 1.9" (48mm) d



STICKS BUNDLE WIDE

37.5" [953mm] w x 108" [2745mm] h

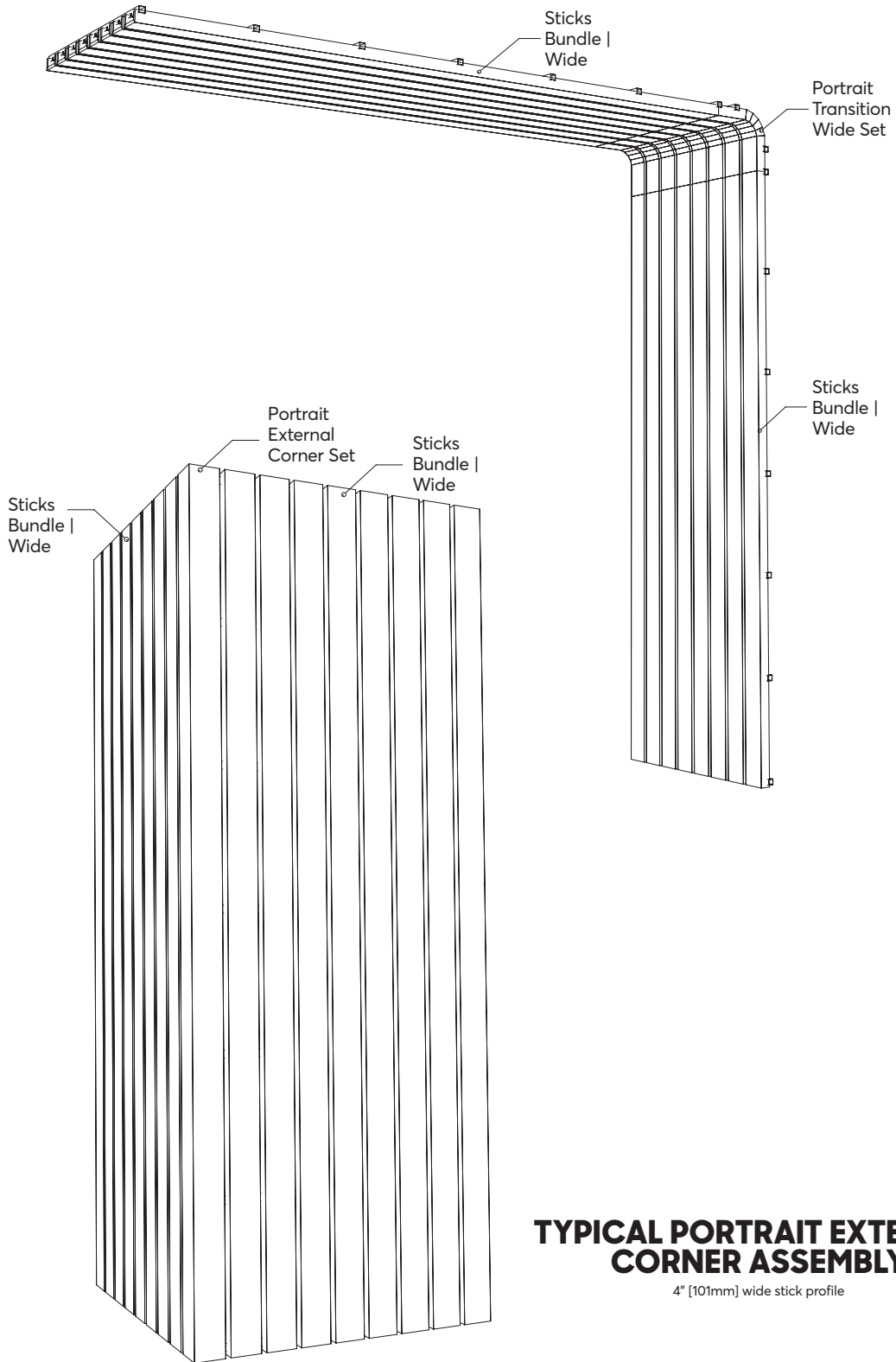


STICKS SUSPENSION KIT

To suit Bundle up to 108.1" (2745mm) w x 37.5" (953mm) l. 1" (25mm) d..

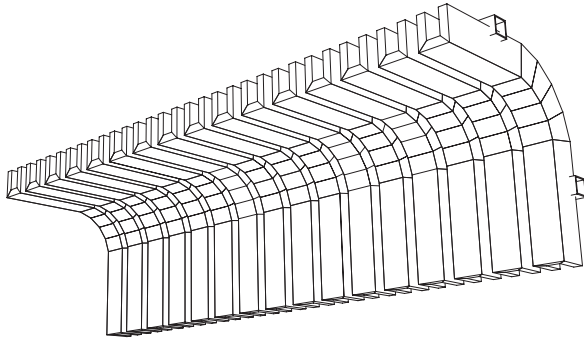
TYPICAL PORTRAIT TRANSITION ASSEMBLY

4" [101mm] wide stick profile



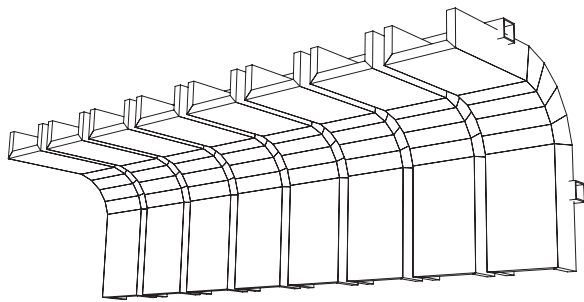
TYPICAL PORTRAIT EXTERNAL CORNER ASSEMBLY

4" [101mm] wide stick profile



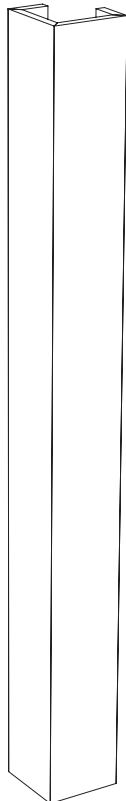
PORTRAIT TRANSITION NARROW SET

37.5" [953mm] w x 11.4" [289mm] h



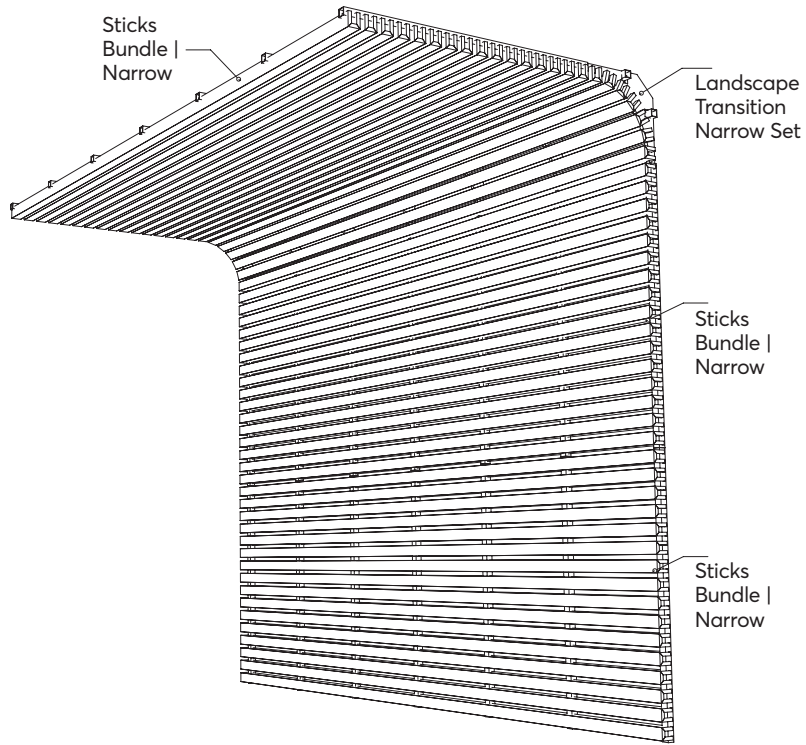
PORTRAIT TRANSITION WIDE SET

37.5" [953mm] w x 11.4" [289mm] h



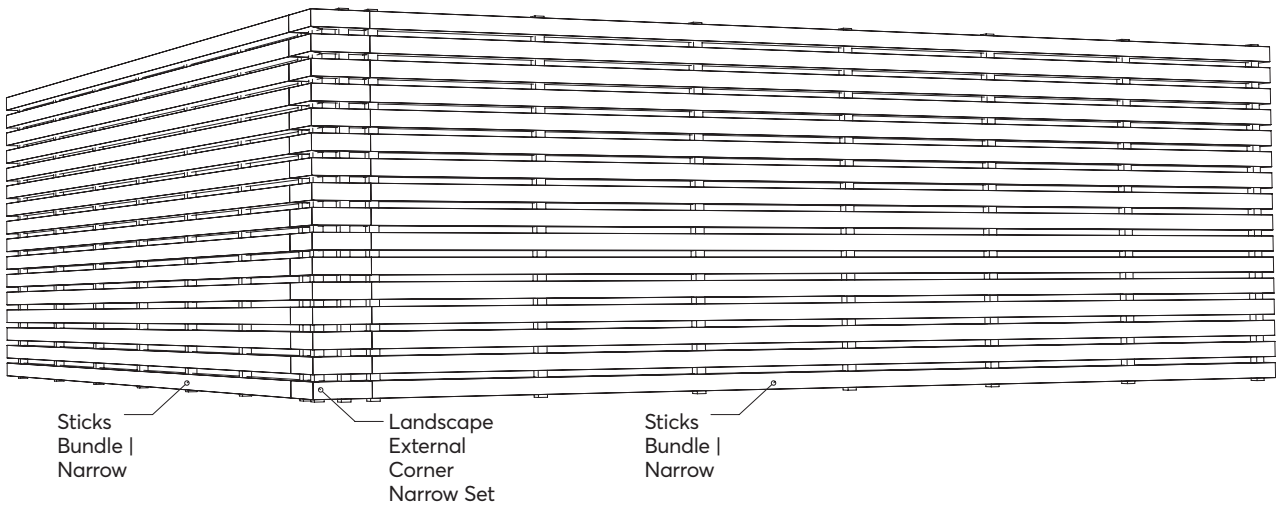
PORTRAIT EXTERNAL CORNER SET

4" [101mm] w x 108" [2745mm] h



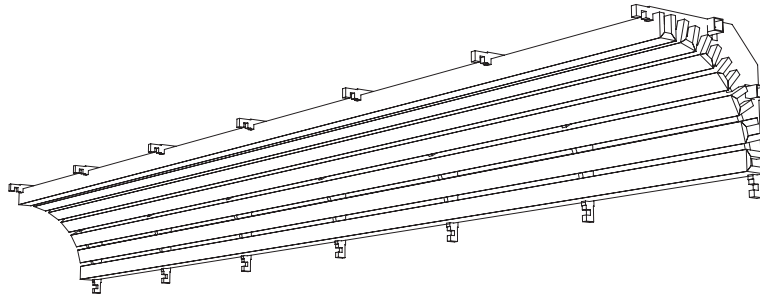
**TYPICAL LANDSCAPE
TRANSITION ASSEMBLY**

1.66" [42mm] wide stick profile



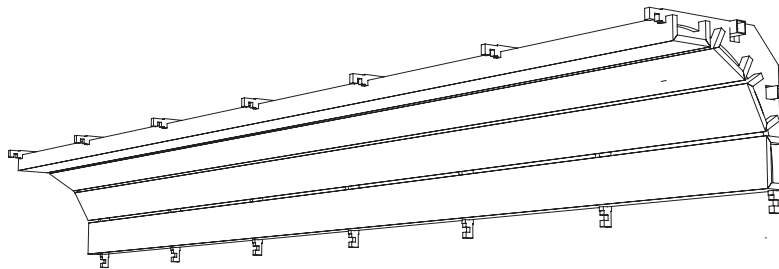
**TYPICAL LANDSCAPE
EXTERNAL CORNER
ASSEMBLY**

1.66" [42mm] wide stick profile



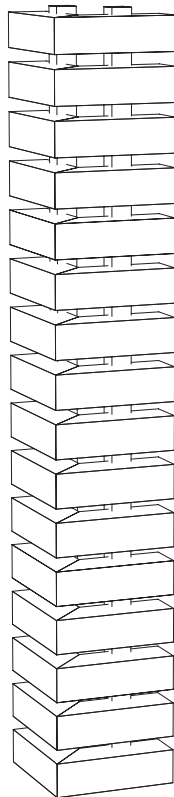
LANDSCAPE TRANSITION NARROW SET

108" [2745mm] w x 11.67" [296mm] h



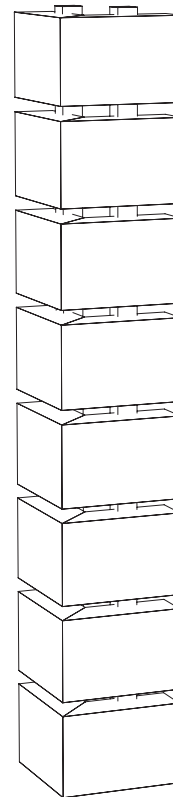
LANDSCAPE TRANSITION WIDE SET

108" [2745mm] w x 12.8" [326mm] h



LANDSCAPE EXTERNAL CORNER NARROW SET

6" [152mm] w x 37.5" [953mm] h



LANDSCAPE EXTERNAL CORNER WIDE SET

6" [152mm] w x 37.5" [953mm] h

STICKS TRIM



Zintra Sticks is impeccably finished around windows, doors, ceiling services and GPOs with our simple but polished Sticks Trim. Supplied as a separate right angle piece, Sticks Trim is easily cut in the field to mitre or butt join and glue to Sticks sets to provide a matching Timber finish to exposed ends.

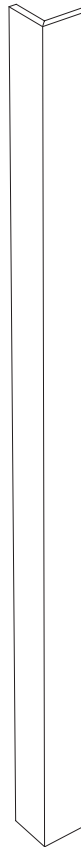
Zintra Sticks Bundle + Trim | Wide | Ironbark

zintra[®].10



Top image: Zintra Sticks Bundle + Trim | Spotted Gum
Bottom image: Zintra Sticks Bundle + Trim | Wide | Ironbark

TECHNICAL DRAWING



STICKS TRIM

2.9" [73mm] w x 108" [2745mm] h x 2.9" [73mm] d

TECHNICAL DETAILS

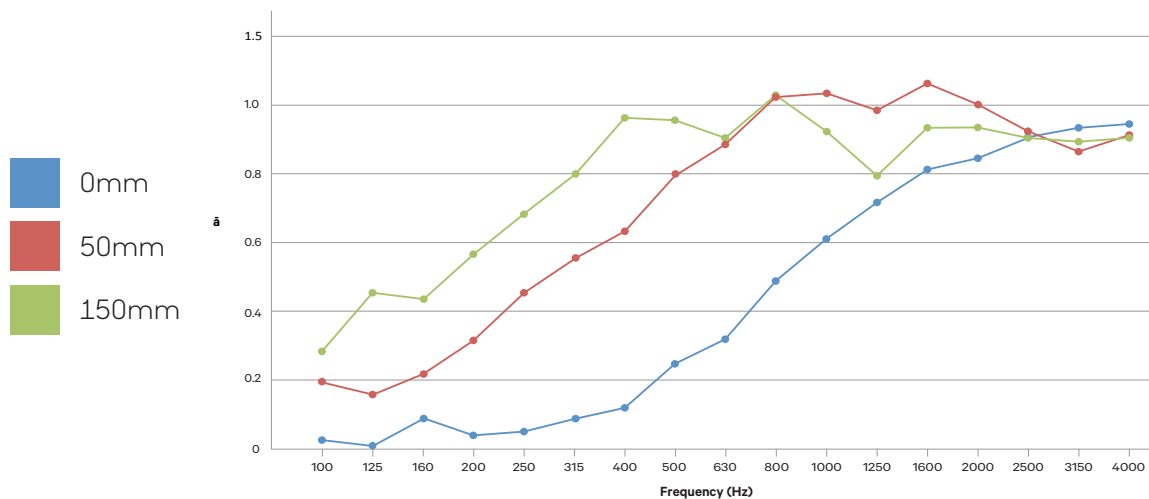
MATERIAL

100% solution-dyed polyester.

ACOUSTIC RATING

ASTM C423-09a test results: 0.45-0.90 NRC depending on distance from wall.

	Frequency/Hz	100	125	160	200	250	315	400	500	630	800	1000	1250	1600	2000	2500	3150	4000	$\bar{\alpha}$	NRC
DISTANCE FROM WALL	0mm	0.03	0.01	0.09	0.04	0.05	0.09	0.12	0.25	0.32	0.49	0.61	0.72	0.82	0.85	0.91	0.94	0.95	0.44	0.45
	50mm	0.20	0.16	0.22	0.32	0.46	0.56	0.63	0.80	0.89	1.03	1.04	0.99	1.07	1.00	0.93	0.87	0.92	0.81	0.80
	150mm	0.29	0.46	0.44	0.57	0.69	0.81	0.97	0.96	0.91	1.04	0.92	0.80	0.94	0.94	0.91	0.90	0.91	0.87	0.90



SIZE

See pages 5-12.

APPLICATION

Indoor areas only.

FIRE RATING

ASTM-E84 - Class A classification
AS ISO 9705 - 2003 - Group 1 classification
EN-13501 - B-s2-d0 classification.

Tested in accordance with CAN/ULC S102

LIGHTFASTNESS

AATCC 16.3, Option 3: Panel colour change at 40AFU is 4.5.

TEMPERATURE

Maximum temperature exposure is 240°F (115°C).

MOISTURE ABSORPTION

Polyester fibre when exposed to an atmosphere of 120°F (49°C) at 90% relative humidity for four days showed moisture absorption of less than 0.03% by weight.

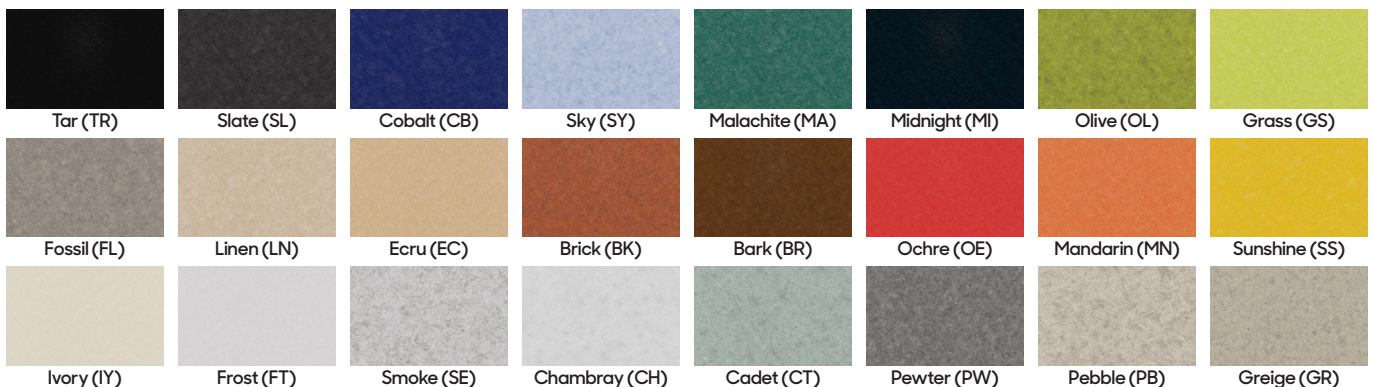
COLOUR RANGE

24 sheet colours and 4 timber colours.

TIMBER COLOURS



PLAIN COLOURS



VOC TESTING

Standard Method Version 1.2 for CDPH 01350:
PASS for all testing scenarios.

ENVIRONMENT

Panels are fully recyclable at end of life.

CARE INSTRUCTIONS

Vacuum to remove dust.

Remove spills immediately using a clean damp cloth or with soap and water.

Polyester carpet and fabric cleaners can be used - always test an inconspicuous area first.

A stain repellent coating is available for additional protection.

Disinfection - Regular household bleach solution (5.25% sodium hypochlorite) can be used in accordance with Health Canada Cleaning and Disinfection instructions. The solution ratio should be 10% bleach to 90% water. Spray apply the solution as a mist, follow recommended wet contact period and then wipe off the surface moisture.